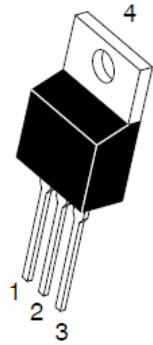
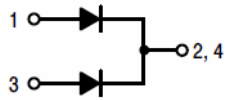


TO-220AB
TSR 6 CT



ITO-220AB
TSR 6 CTF



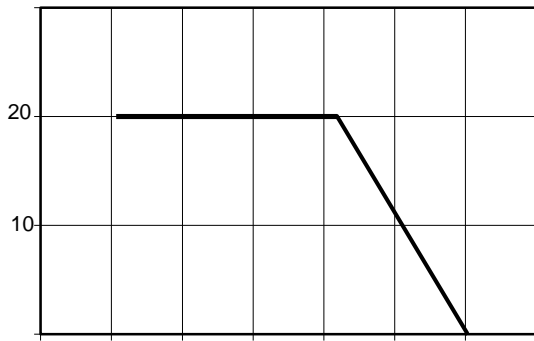
Features

- ‡ \$GYDQWUHQFK WHFKQRORJ\
- ‡ /RZRUZDYGWDJH GURS
- ‡ /RZRZURVVHV
- ‡ +LJKILFLHQF\ RSHUDWLRO
- ‡ /HDGH)HLQLVK &R#6OLDQW

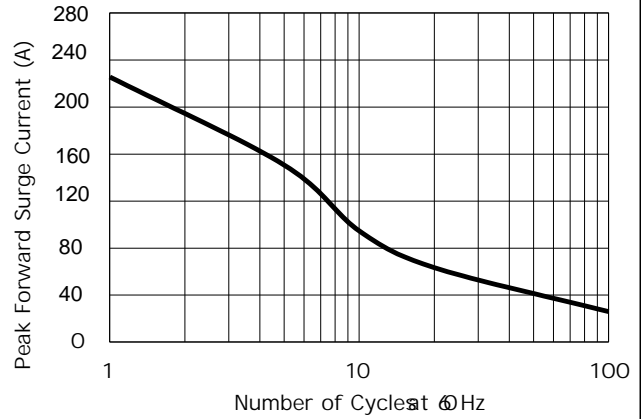
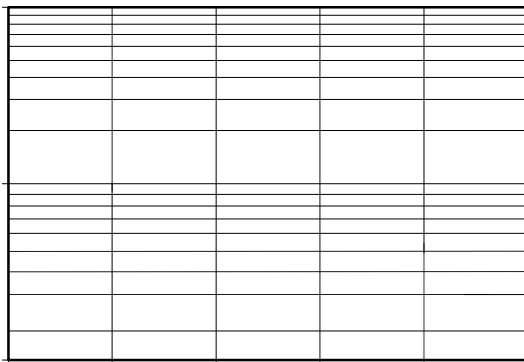
RATINGS AND CHARACTERISTICS CURVES

7\$

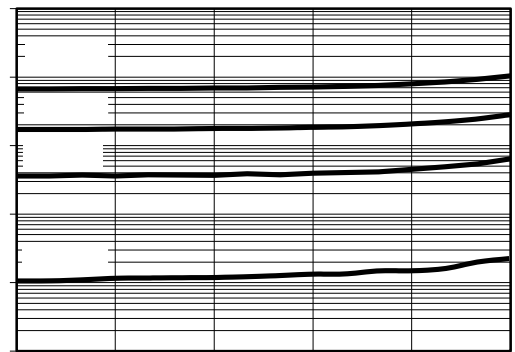
f & X Q O H V Q R W K B U Z L V H



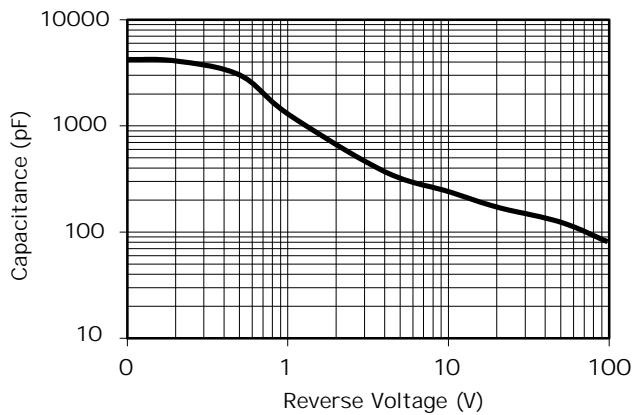
Current Derating, Case



Maximum Repetitive Surge Current

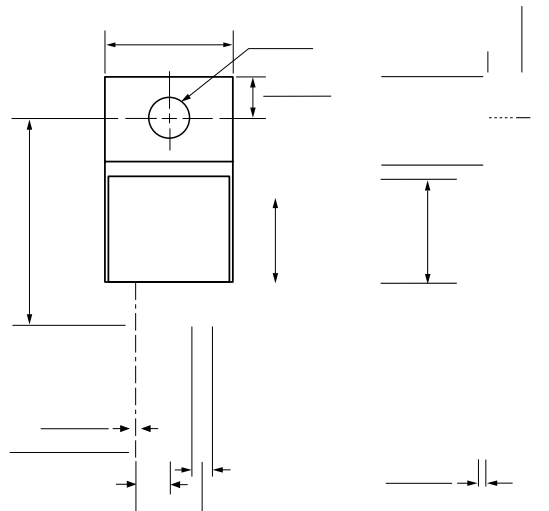


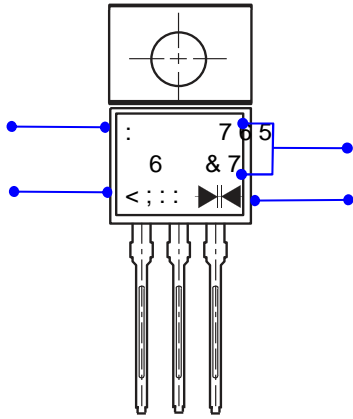
Typical Reverse Current



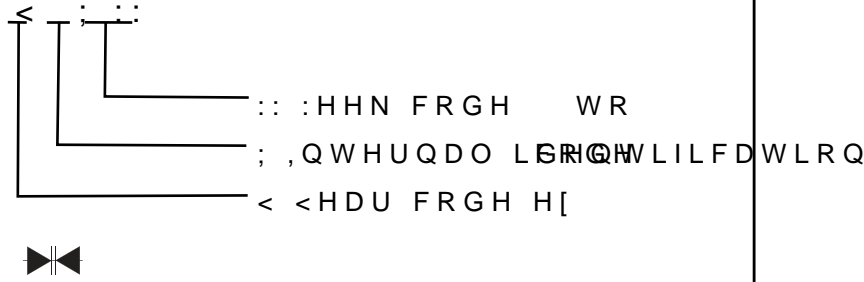
Typical Junction Capacitance

01180138
PACKAGE OUTLINE DIMENSIONS

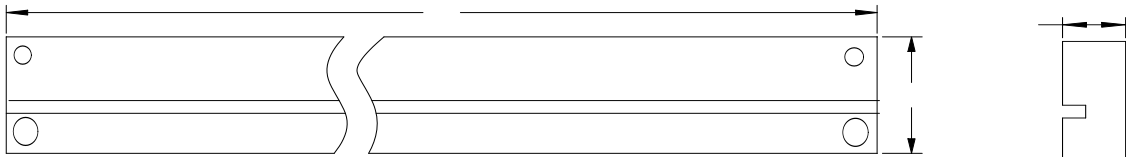




3URGXFW 765GH60 &7 RU 765 &7)
3' & LQIRUPDWLRQ

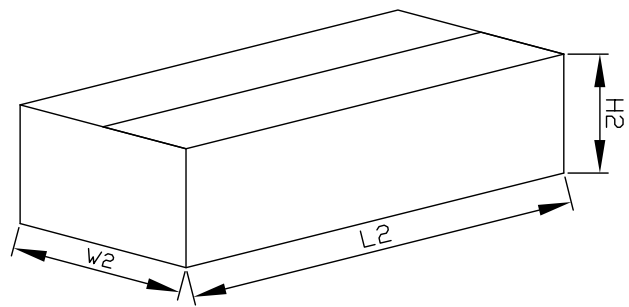
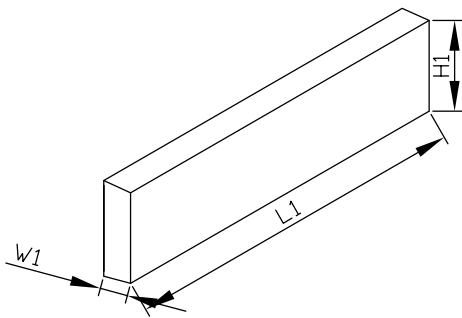


7XEH 'LPHQVLRQV



,QVLGH %R[

2XWVLGH %R[



12	81,	7XEH 'LPHQVLRQV			,QVLGH %R[2XWVLGH %R[
6L]H	PP	\$	%	&	/	:	+	/	:	+
47<	3&6	3&6 7XEH			6PDO SHVWDJH3&6 WXEVRWDO			3&6 FDUERGLWRWDO		
1RWH		7ROHUDQFH PP" PP			PP" PP			PP" PP		