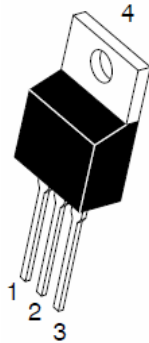


7 UHQFK 026 %DUULHU 6FKRWWN\ 5H

TO-220AB  
TSR /1 OCT



ITO-220AB  
TSR /1 OCTF

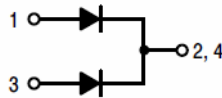


Features

- ‡ \$GYDQWUHQFK WHFKQRORJ\
- ‡ /RZRZDWRGWDJH GURS
- ‡ /RZRZDWRVVHV
- ‡ +LJKILFLHQF\ RSHUDWLRO
- ‡ /HDGH)HLQLVK &R#6OLDQW

Applications

- ‡ '&' & RQYHUWHUV
- ‡ \$&' & \$GDSWRUV
- ‡ 6ZLWFKRZDIXSSOLHV
- ‡ )UHHZKH'HLRQJ



Maximum ratings and electrical characteristics (T<sub>J</sub> = 25°C unless otherwise noted)

3DUDPHWHU		6\PERO	/LPLW	8QLW
0D[LPXPHSHVSHUNYHYURQHW DJH		9550		9
0D[LPXPHYHURJHZDUG UFKUWHIHWG	GHYLFH SHGLRGH	,) \$9		\$
3HDN IRVZDUEBUUHQW VLQDQH ZDYH VXSHULPSRVHGRFSGUDRCHG		,)60		\$
2SHUDMXQDQLRQWRUDJH WHPSHUDW	XUH 0DQJH	WR		f&
7\SLFVCHUPDO USHVULVQHDQFH	72 \$% ,72 \$%	5\$-&		f& : f& :
,QVWDQWDQHRROWRUJZDUG SHGLRGH	,) \$	7- f&	7 < 3	9
	,) \$	7- f&	0\$;	
	,) \$	7- f&		
	,) \$	7- f&		
,QVWDQWDQHRXUUSHQWIRQWH UDWHYHYURQHW DJH	7- f&	,5		X\$
	7- f&			P\$

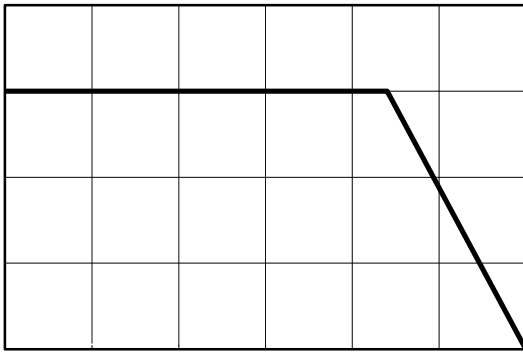
1RWHV

3XOVH WHVVSXOVH ZLGWK GXW\F\FOH

3XOVH WHVW 3XOPWH ZLGWK 0

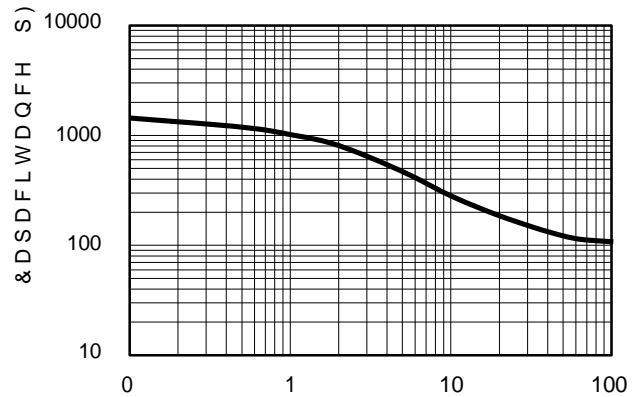
RATINGS AND CHARACTERISTICS CURVES

f & X Q O H V Q R W K B U Z L V H



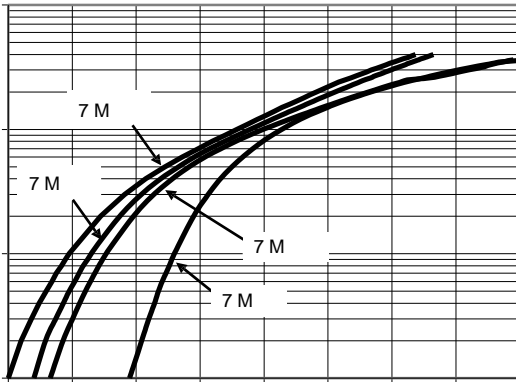
7 F & DVH 7 & HPS

Figure1: Current Derating, Case



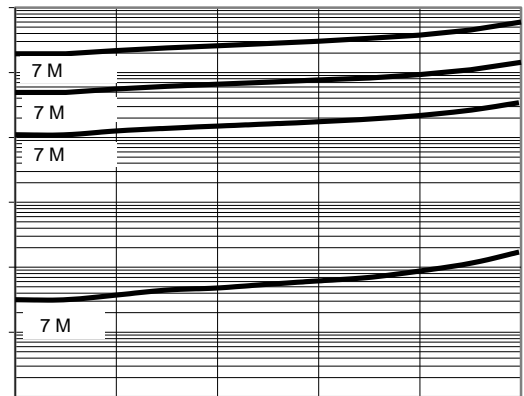
5 H Y H U V H 9 R O W D J H

Figure2: Typical Junction Capacitance



9 I , Q V W D Q W D Q H R X V ) R U Z D U G 9 R O W D J H P 9

d Ç % o & } œ Á œ s } o š P

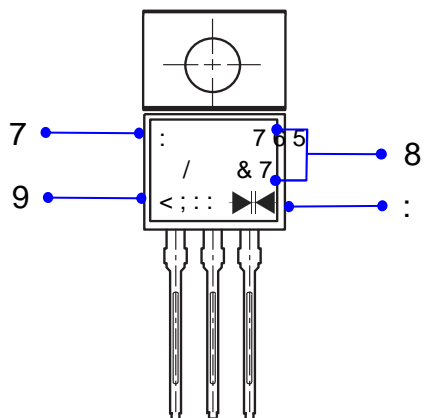


9 5 5 H Y H U V H 9 R O W D J H 9 R O W V

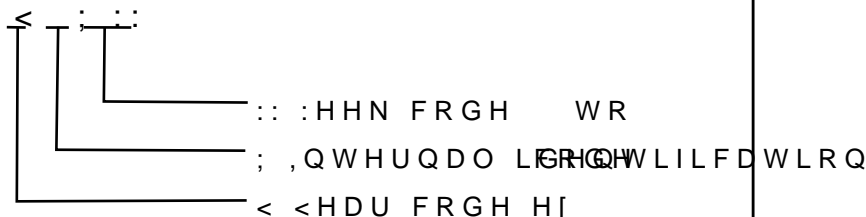
d Ç % o Z μ œ œ • v š



### 0DUNLQJ ,QIRUPDWLRQ



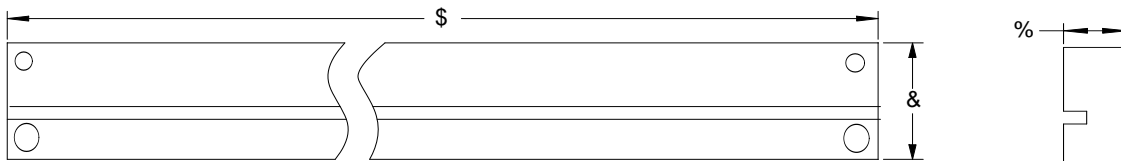
7 : &RPSDQ\ V WUDGHPDUN  
 8 3URGXFW 765 / &7) )  
 9 3' & LQIRUPDWLRQ



: >> 'RXEOH ZDIHU

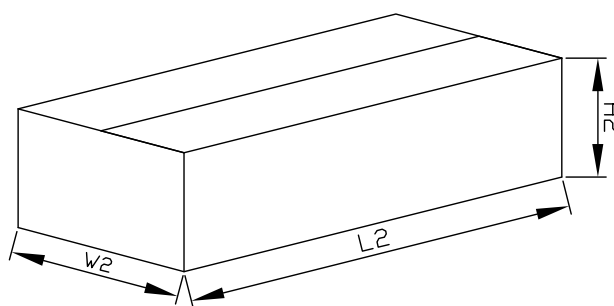
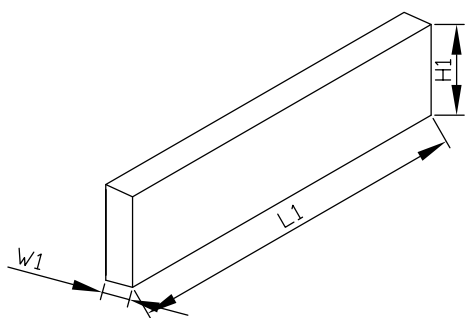
### 3DFNDJLQJ ,QIRUPDWLRQ

7XEH 'LPHQVLRQV



,QVLGH %R[

2XWVLGH %R[



### 3DFNDJLQJ ,QIRUPDWLRQ

12	81,	7XEH 'LPHQVLRQ			,QVLGH %R[			2XWVLGH %R[		
6LH	PP	\$	%	&	/	:	+	/	:	+
47<	3&6	3&6 7XEH			6PDO SHFWDJH3&6 WXEORWDO			3&6 FDUERGLWRWDO		
1RWH	7ROHUDQFHPP"PP		PP"PP		PP"PP					