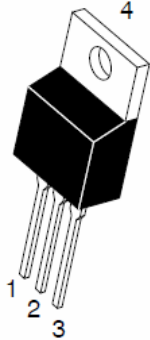


# TSR40A 00CT

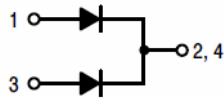
# TSR40A10 CTF

7 UHQFK 026 %DUULHULB BKRWVN\ 5H

TO-220AB  
TSR40A100CT



ITO-220AB  
TSR40A100CTF



### Features

- ‡ \$GYDQWUHQFK WHFKQRORJ\
- ‡ /RZRZURGRWDJH GURS
- ‡ /RZRZURVHV
- ‡ +LJKILFLHQF\ RSHUDWLRO
- ‡ /HDGHJLQLVK &RPSOLDQW

### Applications

- ‡ '&' & RQYHUWHUV
- ‡ \$&' & GDSWRUV
- ‡ 6ZLWFKRZHXSSOLHV
- ‡ )UHHZKHHLRQJ

Maximum ratings and electrical characteristics (T<sub>J</sub> = 25°C unless otherwise noted)

3DUDPHWHU		6\PERO	/LPLW	8QLW
0D[LXPXPHSHVSHUNYHYURQHW DJH		9550		9
0D[LXPYHURJHZDUG UFXEWHIHWG		, ) \$9		\$
GHYLFH SHGLRGH				
3HDN IRVZDUEBUHQW VLQDQH ZDYH		, ) 60		\$
VXSHULPSRVHGRFSCULRVHG				
2SHUDMXQDQLRQWRUDJH WHPSHUDW		XOH 060JH	WR	f &
7\SLFVCHUPDO USHVULVQHDQFH		5\$ - &		f & :
72 \$% , 72 \$%				
, QVWDQWDQHRXUWRUJZDUG SHGLRGH		9)	7 < 3	0\$;
	, ) \$		7- f &	
	, ) \$		7- f &	
	, ) \$		7- f &	
, QVWDQWDQHRXUWRUJZDUG UDWHYHYURQHW DJH		, 5		X\$
			7- f &	P\$

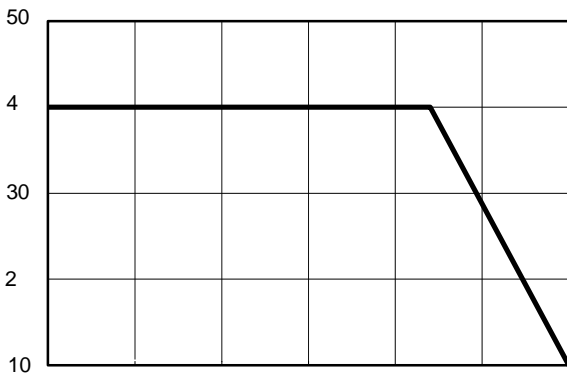
1RWHV

3XOVH WHVVSXOVH ZLGWK GXW\F\FOH

3XOVH WHVW 3XOPVH ZLGWK 0

## RATINGS AND CHARACTERISTICS CURVES

□ □ □ □ □ □ □ □ □ □



7 F & DVH 7&HPS

Figure 1: Current Derating, Case

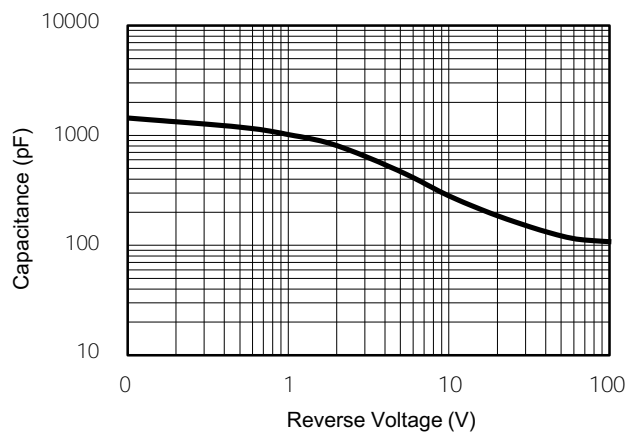
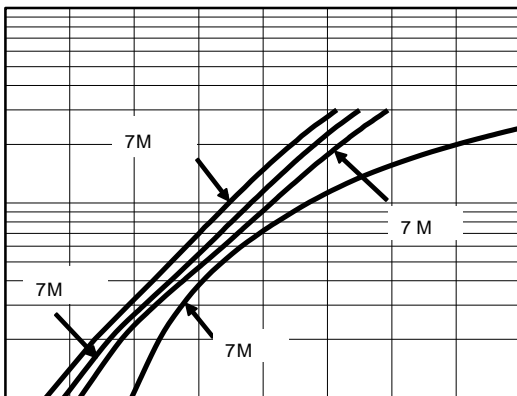


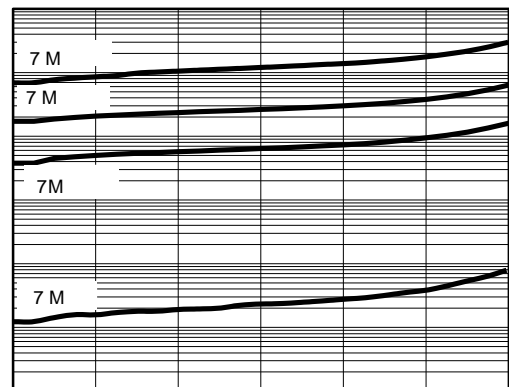
Figure 2: Typical Junction Capacitance



9I ,QVWDQWDQHRXV )RUZDUG

Figure 3: Typical Forward Voltage

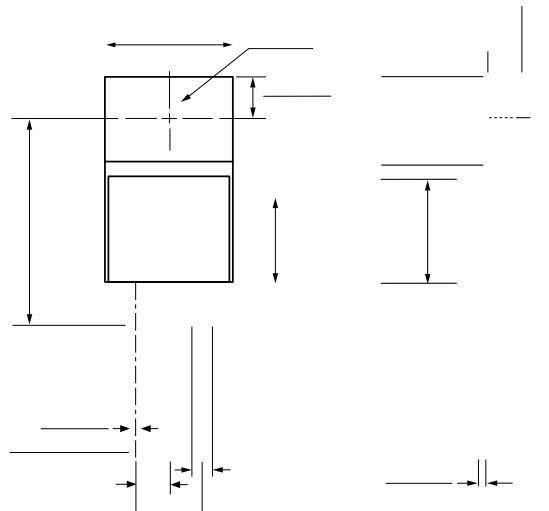
X \$  
& XUUHQQW  
, U 5HYHUVH



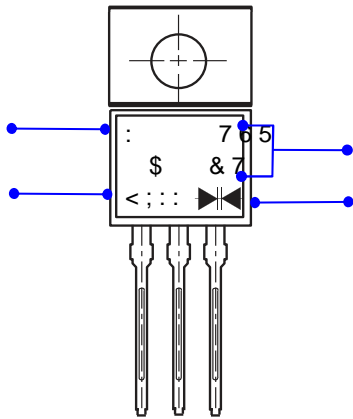
9ROWDJH P995 5HYHUVH 9ROWDJH 9ROWV

Figure 4: Typical Reverse Current

# PACKAGE OUTLINE DIMENSIONS



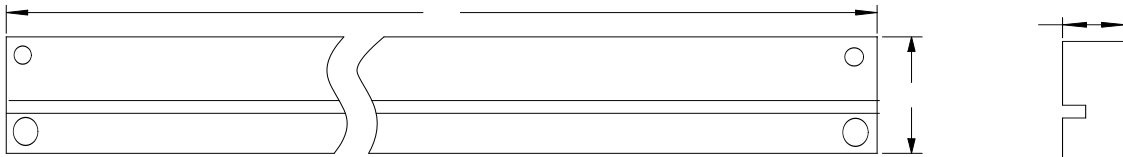
### Marking Information



K : ' 7cadUbnfig' hf UXYaUf\_  
 3 U R G X F W 7 6 5 G H O & 7 □ □ □  
 3 ' & L Q I R U P D W L R Q  
 < ; : :  
 : : : H H N F R G H W R  
 ; , Q W H L G Q H D Q W L F I R F G H W L R Q  
 < < H D U F R G H H [  
 << & 8ci V Y kUZyf

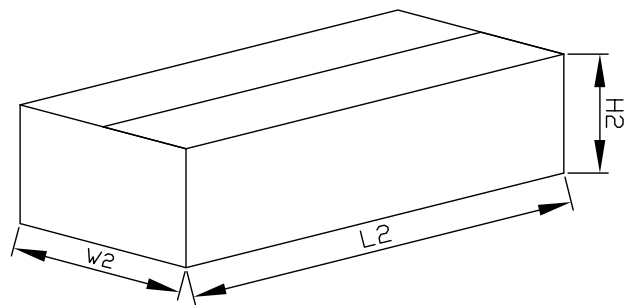
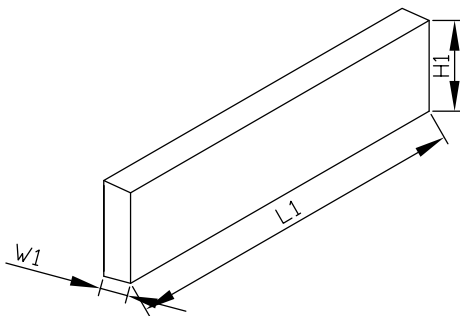
### Packaging Information

7 X E H ' L P H Q V L R Q V



, Q V L G H % R [

2 X W V L G H % R [



### Packaging Information

1 2	8 1 ,	7 X E H ' L P H Q V L R			, Q V L G H [			2 X W V L G H		
6 L ] H	PP	\$	%	&	/	:	+	/	:	+
4 7 <	3 & 6	3 & 6 7 X E H			6 P D O C S H V W D J H 3 & 6 W X E H W R W D O			3 & 6 F D U E R F G L W R W D O		
1 R W H	7 R O H H D Q F P P " P P		P P " P P		P P " P P					