

superimposed on rated load per diode

si      M M

Notes:

3XOVH WHV ~~VS~~XOVH ZLGWK      GXW\ F\FOH  
3XOVH WHVW 3XOPWH ZLGWK 0



TSR 9 CT  
TSR 9 CTF  
129

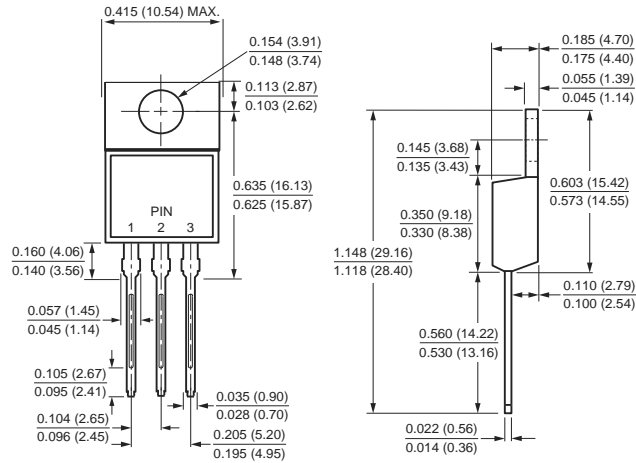
RATINGS AND CHARACTERISTICS CURVES 7\$ f & XQOHVQRWKB UZLVH

\_\_\_\_\_

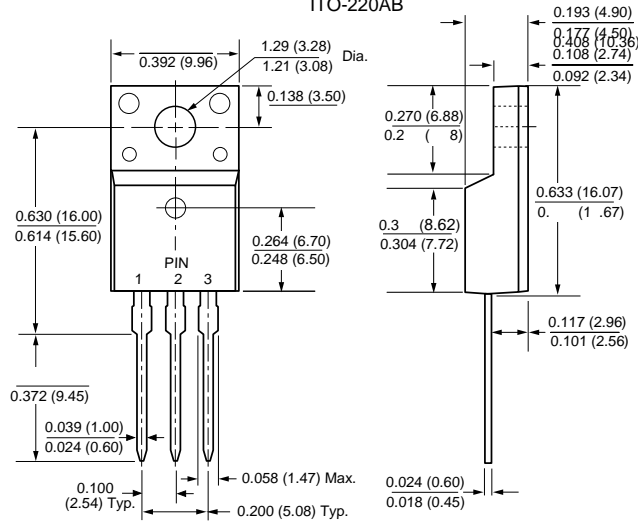
## PACKAGE OUTLINE DIMENSIONS

1 R W H X Q L W , Q P P

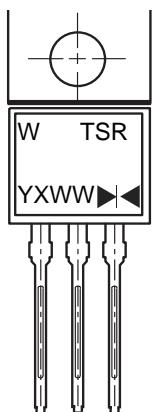
TO-220AB



ITO-220AB



0 D U N L Q J , Q I R U P D W L R Q



7 W : Company's trademark

8 Product model : TSR 9 CT R U 7 6 5 ( & 7 )

9 PDC information Æ

Y X WW

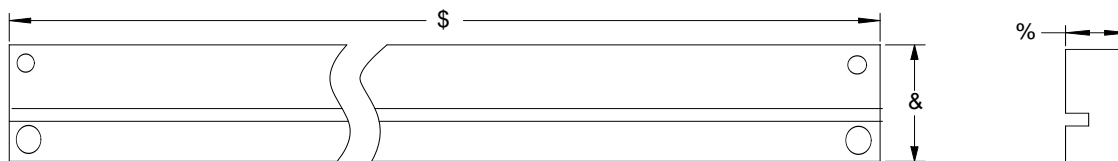
WW:Week code(01 to 53)

X:Internal identification code

Y:Year code(ex:0=2020)

3 D F N D J L Q J , Q I R U P D W L R Q

1. Tube Dimensions



2. Inside Box

3. Outside Box

3 D F N D J L Q J , Q I R U P D W L R Q

NO	UNIT	Tube Dimensions			Inside Box			Outside Box		
		A	B	C	L1	W1	H1	L2	W2	H2
Size	mm	530	7	33	570	46	150	590	260	180
QTY	PCS	50PCS/Tube			Smallest package,1000PCS, 20 tube in total			5,000PCS/carton,5 boxes in total		
Note	Tolerance 20mm,±3mm; 21-100mm,±5mm; 101-500mm,±10mm									