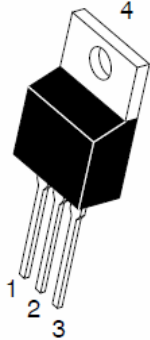
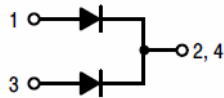


Trench MOS Barrier Schottky Rectifier

TO-220AB
TSR30L45CT



ITO-220AB
TSR30L45CTF



Features

- Advanced trench technology
- Low forward voltage drop
- Low power losses
- High efficiency operation
- Lead Free Finish, RoHS Compliant

Applications

- DC/DC Converters
- AC/DC Adaptors
- Switching Power Supplies
- Freewheeling Diodes

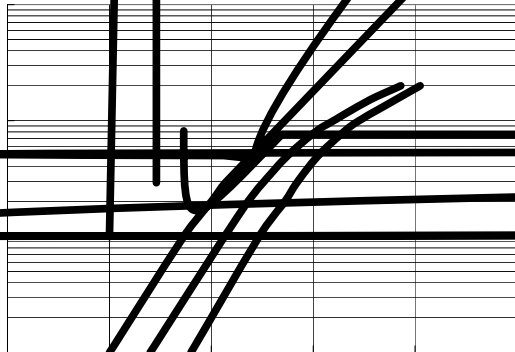
Maximum ratings and electrical characteristics (T_J = 25°C unless otherwise noted)

Parameter		Symbol	Limit		Unit
Maximum repetitive peak reverse voltage		VRRM			V
Maximum average forward rectified current	device	IF(AV)			A
	per diode				
Peak forward surge current 8.3 ms single half sine-wave superimposed on rated load per diode		IFSM	2 0		A
Operating junction and storage temperature range		TJ, TSTG	- to +150		°C
Typical thermal resistance per leg	TO-220AB	5 § - &	2		°C/W
	ITO-220AB		4		°C/W
Instantaneous forward voltage per diode			TYP.	MAX.	V
	IF= A	TJ=25°C	0.	0.	
	IF= A	TJ=125°C	0.	-	
	IF= A	TJ=25°C	6	5	
Instantaneous reverse current per diode at rated reverse voltage					µA
					mA

Notes:

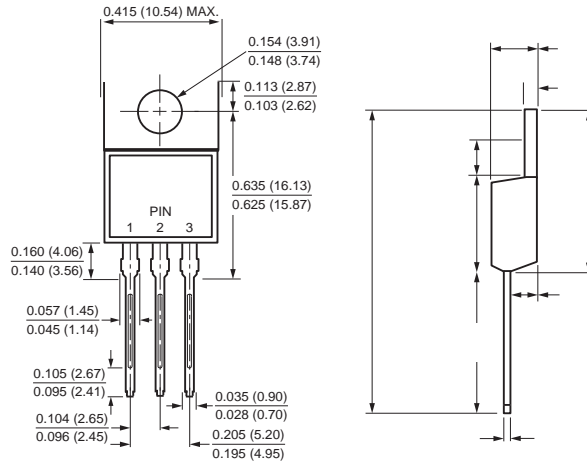
3 XOVH WHV V\$XOVH ZLGWK GXW\ F\FOH
3 XOVH WHVW 3XOP\H ZLGWK 0

RATINGS AND CHARACTERISTICS CURVES (TA = 25 °C unless otherwise noted)

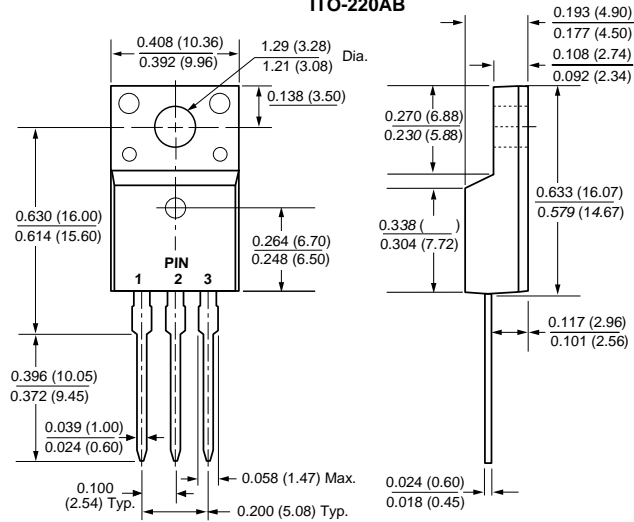


PACKAGE OUTLINE DIMENSIONS

TO-220AB



ITO-220AB



TS 5 / 9 & 7 TSR

129

Marking Information

: 765

W : Company's trademark
Product model TSR30L45CT or TSR30L45CTF

PDC information

Y X WW

: ::Week code(01 to 53)

;:Internal L G H Q W Lddd F D W L R Q

Y:Year code(ex:0=2020)

Packaging Information

1.Tube Dimensions

Packaging Information