

Trench MOS Barrier Schottky Rectifier

Features

- Advanced trench technology
- Low forward voltage drop
- Low power losses
- High efficiency operation
- Lead Free Finish, RoHS Compliant

Applications

- DC/DC Converters
- AC/DC Adaptors
- Switching Power Supplies
- Freewheeling Diodes

Maximum ratings and electrical characteristics (T_J = 25°C unless otherwise noted)

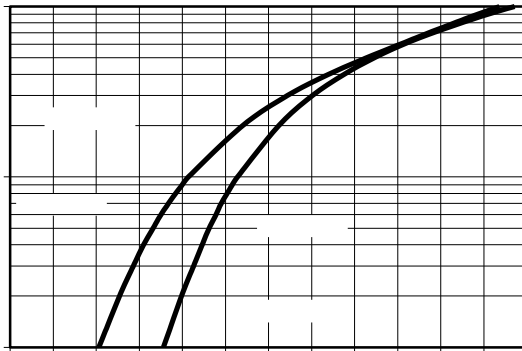
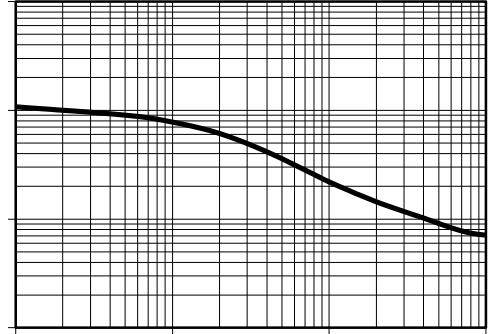
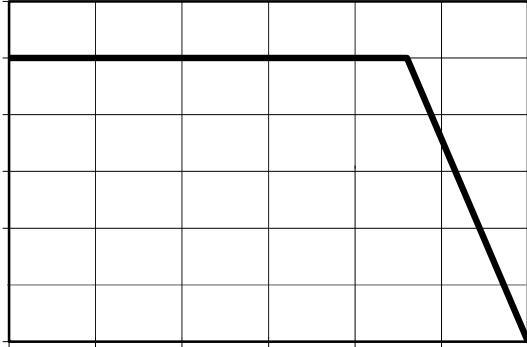
Parameter

Notes:

(1) Pulse test: 300 μs pulse width, 1 % duty cycle

(2) Pulse test: Pulse width ≅ 40 ms

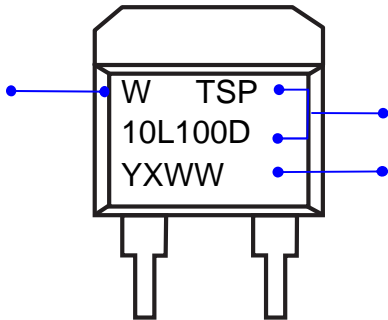
RATINGS AND CHARACTERISTICS CURVES (TA = 25 °C unless otherwise noted)



PACKAGE OUTLINE DIMENSIONS

Note:unit In(mm)

0 D U N L Q J , Q I R U P D W L R Q



W : Company's trademark

Product model : TSP10L100D For TSP10L100D-S

PDC information

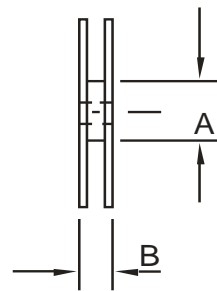
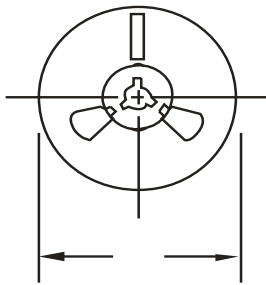
Y X WW

WW:Week code(01 to 53)

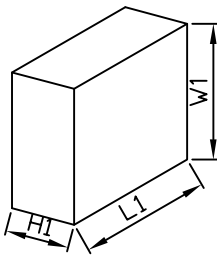
X:Internal identification code

Y:Year code(ex:0=2020)

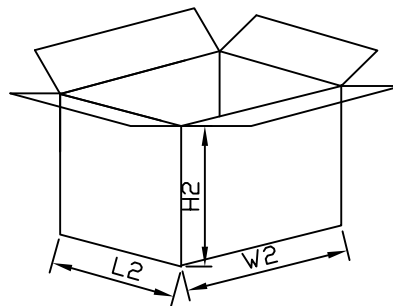
1.Reel Dimensions



2. Inside Box



3. Outside Box



Packaging Information

NO	UNIT	Reel Dimensions			Inside Box			Outside Box		
		A	B	L1	W1	H1	L2	W2	H2	
Size	mm	330	100	15	340	335	45	370	360	270
QTY	PCS	Smallest package,2500PCS/reel			5,000PCS,2 reel in total			25,000PCS/carton,5 boxes in total		