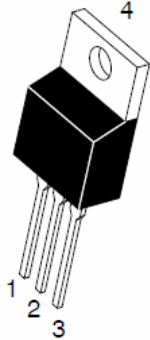


TSR40 / OCT TSR40 /1 CTF

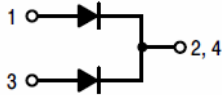
129

7 UHQFK 026 %DUULHU 6FKRWWN\ 5H

TO-220AB
TSR40L1 OCT



ITO-220AB
TSR40L1 OCTF



Features

- ‡ \$GYDQWUHQFK WHFKQRORJ\
- ‡ /RZRZDWRGWDJH GURS
- ‡ /RZRZDWRVHV
- ‡ +LJKILFLHQF\ RSHUDWLRO
- ‡ /HDGH)HLQLVK &R#6OLDQW

Applications

- ‡ ' & ' & RQYHUWHUV
- ‡ \$ & ' & GDSWRUV
- ‡ 6ZLWFKRZDIXSSOLHV
- ‡)UHHZKH'HLRQJ

Maximum ratings and electrical characteristics (T_J = 25°C unless otherwise noted)

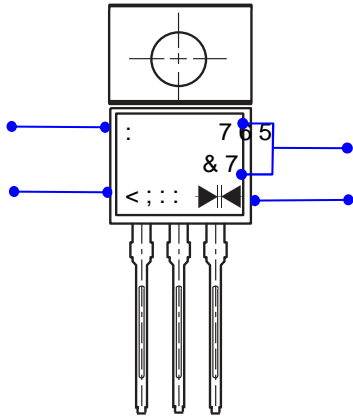
3DUDPHWHU		6\PERO	/LPLW	8QLW
0D[LPXPHSHVSHUNYHYURQHW DJH		9550		9
0D[LPXPHYUDRJDZDUG UFXEWHIHWG	GHYLFH SHGLRGH	,) \$9		\$
3HDN IRVZDUEBUUHQW VLQDQH ZDYH VXSHULPSRVHGRFSGUDRCHG		,)60		\$
2SHUDMXQDQGRQWRUDJH WHPSHUDW		XUH 0DQJH	WR	f &
7\SLFVCHUPDO USHVULVQHDQFH		72 \$% ,72 \$%		f & : f & :
,QVWDQWDQHRROWRDUG SHGLRGH	,) \$	7-	f &	9)
	,) \$	7-	f &	
	,) \$	7-	f &	
	,) \$	7-	f &	
,QVWDQWDQHRXUUSHQWRCWH UDWHYHYURQHW DJH	7-	f &	,5	X\$
	7-	f &		P\$

1RWHV

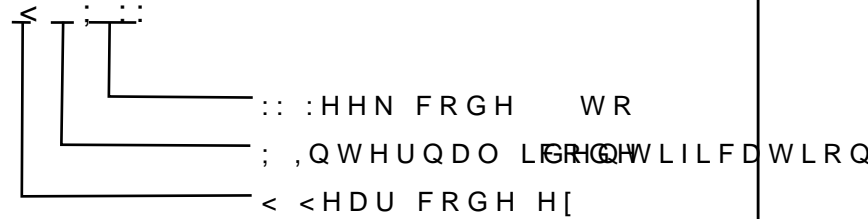
3XOVH WHVVSXOVH ZLGWK GXW\F\FOH

3XOVH WHVW 3XOPH ZLGWK 0

Marking Information



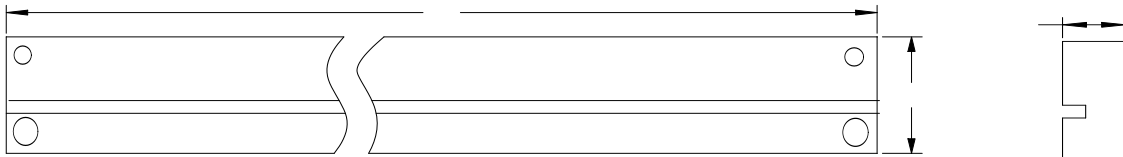
K : ' 7cadUbnfng' hf UXYaUf_
3URGXFW 765GHO
3' & LQIRUPDWLRQ



⏏ 8ci V Y kUZyf

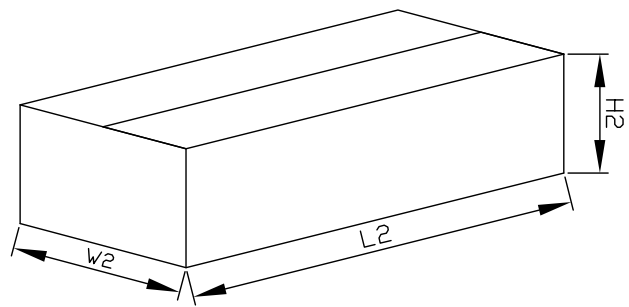
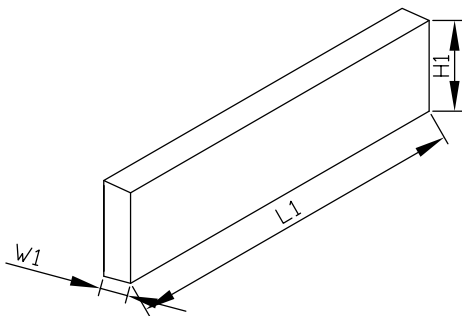
Packaging Information

7XEH 'LPHQVLRQV



,QVLGH %R[

2XWVLGH %R[



Packaging Information

12	81,	7XEH 'LPHQVLRQV			,QVLGH %R[2XWVLGH %R[
6L]H	PP	\$	%	&	/	:	+	/	:	+
47<	3&6	3&6 7XEH			6PDO SHVWDJH3&6 WXEORWDO			3&6 FDUERGLWRWDO		
1RWH	7ROHUDQFHPP"PP			PP"PP			PP"PP			