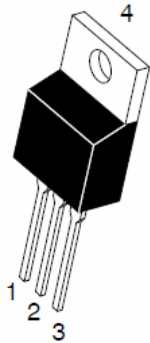
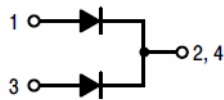
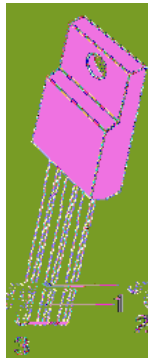


Trench MOS Barrier Schottky Rectifier

TO-220AB
TSR20L60CT



ITO-220AB
TSR20L60CTF



Features

- Advanced trench technology
- Low forward voltage drop
- Low power losses
- High efficiency operation
- Lead Free Finish, RoHS Compliant

Applications

- DC/DC Converters
- AC/DC Adaptors
- Switching Power Supplies
- Freewheeling Diodes

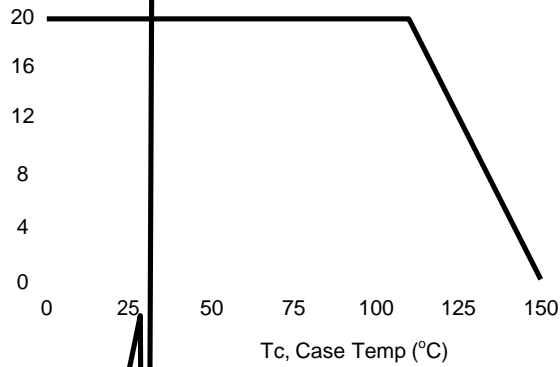
Maximum ratings and electrical characteristics (T_J = 25°C unless otherwise noted)

Parameter		Symbol	Limit		Unit
Maximum repetitive peak reverse voltage		VRRM	0		V
Maximum average forward rectified current	device	IF(AV)	0		A
	per diode				
Peak forward surge current 8.3 ms single half sine-wave superimposed on rated load per diode		IFSM	0		A
Operating junction and storage temperature range		TJ, TSTG	-50 to +150		°C
Typical thermal resistance per leg	TO-220AB	5 § - &	2		°C/W
	ITO-220AB		4		°C/W
Instantaneous forward voltage per diode			TYP.	MAX.	V
	IF=3A	TJ=25°C	0.	-	
	IF=3A	TJ=125°C	0.	-	
	IF= A	TJ=25°C	0.	-	
Instantaneous reverse current per diode at rated reverse voltage			20	0	µA
			-	0	mA

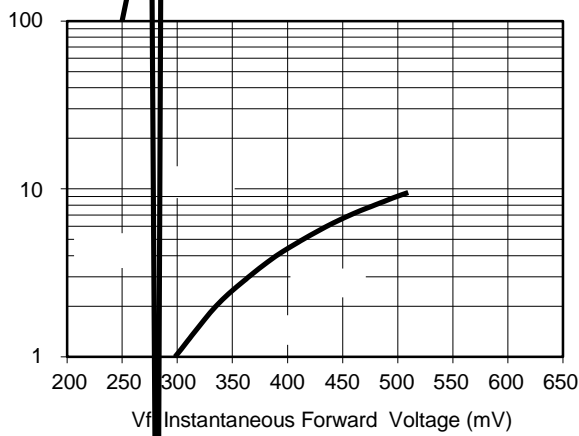
Notes:

3XOVH WHV V\$XOVH ZLGWK GXW\ F\FOH
3XOVH WHVW 3XOPWH ZLGWK 0

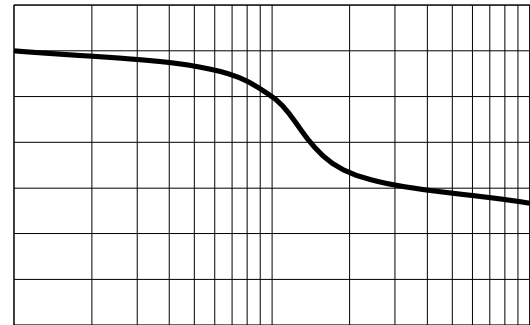
RATINGS AND CHARACTERISTICS CURVES (TA = 25 °C unless otherwise noted)



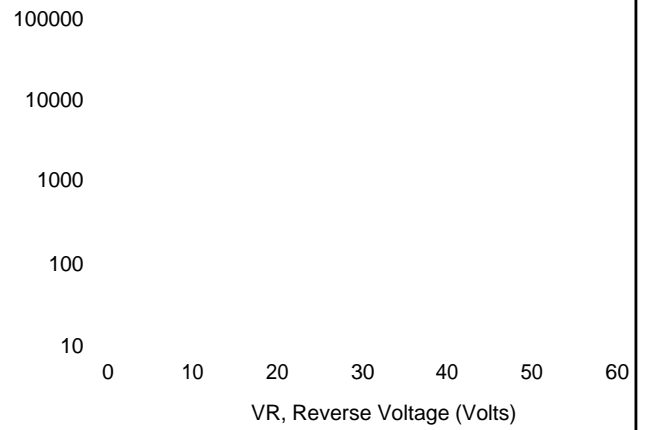
Current Derating, Case



Typical Forward Voltage



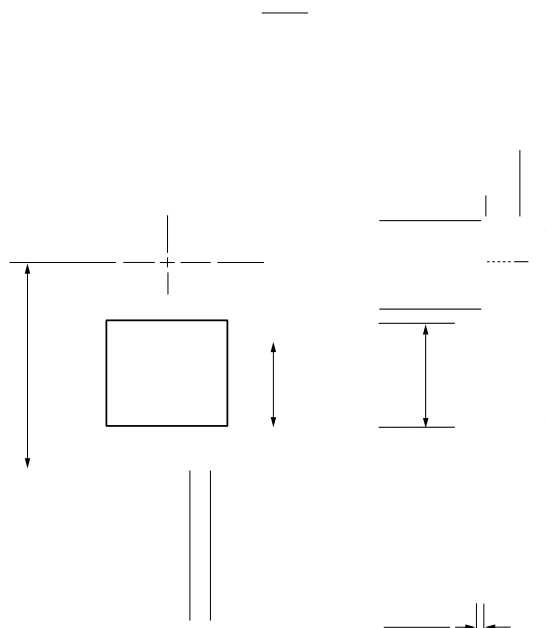
Maximum Repetitive Surge Current



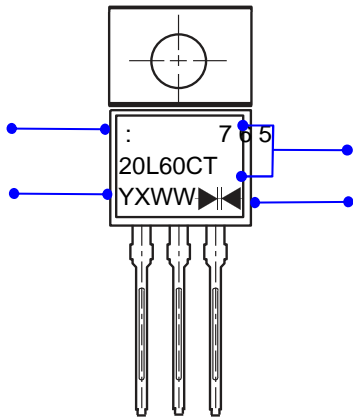
Typical Reverse Current

Typical Junction Capacitance

PACKAGE OUTLINE DIMENSIONS



Marking Information



W : Company's trademark

Product model TSR20L60CT or TSR20L60CTF

PDC information

Y X WW

:::Week code(01 to 53)

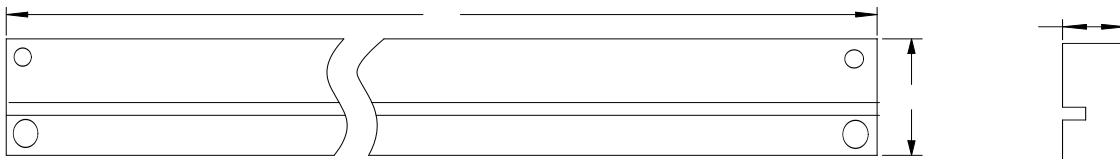
;:Internal L G H Q W L d d d F D W L R Q

Y:Year code(ex:0=2020)

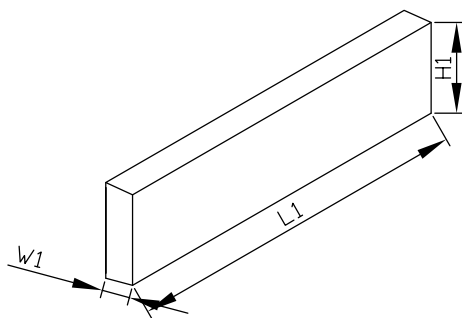
Double wafer

Packaging Information

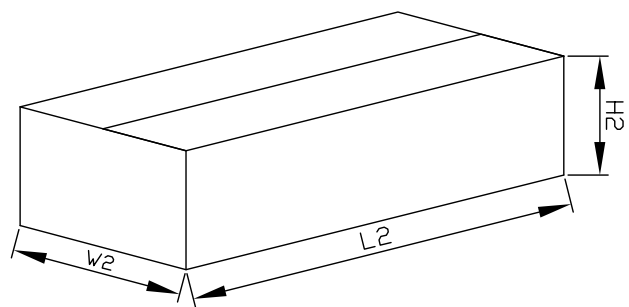
1.Tube Dimensions



2. Inside Box



3. Outside Box



Packaging Information

1 2	8 1 ,	Tube Dimensions			, Q V L G H			2 X W V L G H % R		
		A	%	C	/	:	+	/	:	+
6 LH	PP	5	7	33	570	46	150	59	26	18
4 7 <	3 & 6	3 & 6 Tube			Smallest package, 3 & 6 20 tube L Q R W D O			5 3 & 6 F D U E R G L W R W D O		
1 R W H		7 R O H U D Q F P P " P P			P P " P P			P P " P P		