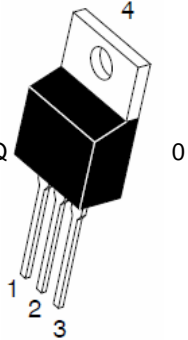


7 UHQFK 026 %DUULHU 6FKRWWN\ 5H

TO-220AB
TSR / &7



ITO-220AB
TSR / &7)

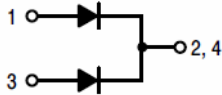


Features

- ‡ \$GYDQWUHQFK WHFKQRORJ\
- ‡ /RZRUZDURGDWDJH GURS
- ‡ /RZRZURVVHV P 0
- ‡ +LJKILFLHQF\ RSHUDWLRO
- ‡ /HDGHLQLVK &RPSOLDQW
A S

Applications

- ‡ '&' &RQYHUWHUV
- ‡ \$&'&GDSWRUV
- ‡ 6ZLWFKRZHXSSOLHV
- ‡)UHHZKHHLRQJ



Maximum ratings and electrical characteristics (T_J = 25°C unless otherwise noted)

3DUDPHWHU	6\PERO	/LPLW	8QLW
0D[LPLXPHSHVSHUNYHYURQHW DJH	9550		9
0D[LPLXPYHURJHZDUG UFXJWHIHWG GHYLFH SHGLRGH	,) \$9		\$
3HDN IRVZDURBUHQW VLKDOHQH ZDYH VXSHULPSRVHGRFSGUDRWHG	,)60		\$

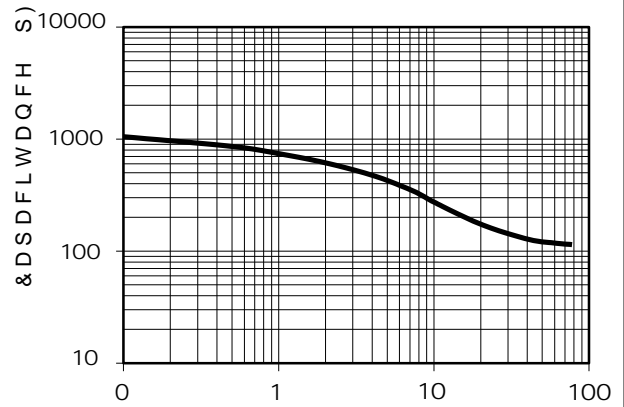
FGLRQ

1RWHV

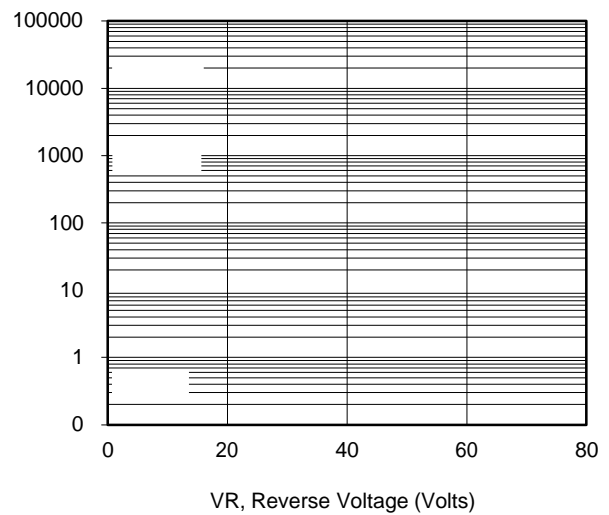
3XOVH WHVW 3XOVH ZLGWK GXW\ F\FOH

3XOVH WHVW 3XOVH ZLGWK 0

RATINGS AND CHARACTERISTICS CURVES 7\$ f & XQOHVQRWKBUZLVH



Typical Junction Capacitance

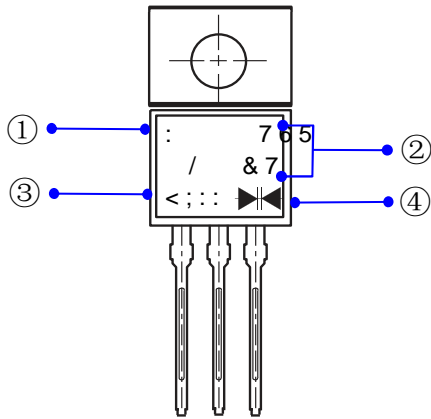


Typical Reverse Current

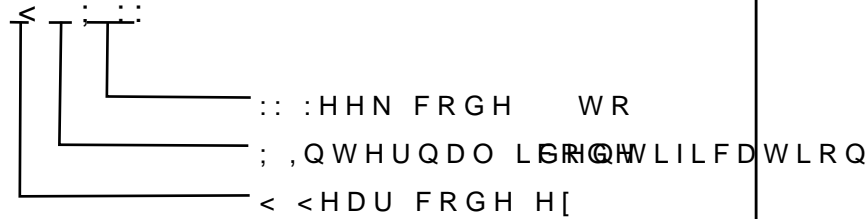
PACKAGE (074) (LINE DIMENSIONS) 8) 0.1008

—
—

Marking Information



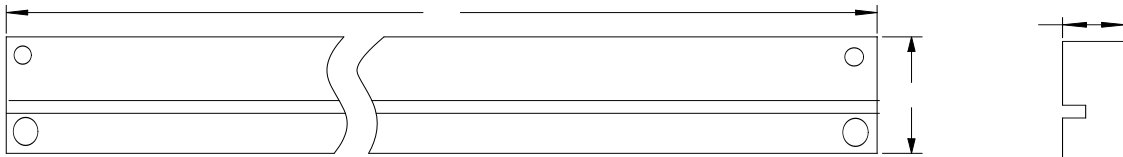
- ①
- ② 3URGXFW 765GHO&7RU 765 / &7)
- ③ 3'& LQIRUPDWLRQ



- ④ <||>

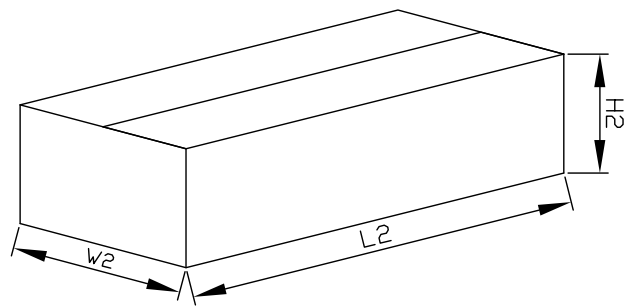
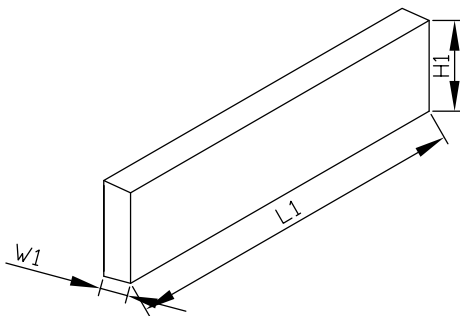
Packaging Information

7XEH 'LPHQVLRQV



,QVLGH %R[

2XWVLGH %R[



Packaging Information

12	81,	7XEH 'LPHQVLRQV			,QVLGH %R[2XWVLGH %R[
6L]H	PP	\$	%	&	/	:	+	/	:	+
47<	3&6	3&6 7XEH			6PDO&7RU 765GHO&7RU 765 WXE&7RU 765			3&6 FDU&7RU 765		
1RW	H	7ROHUDQF&7RU 765			PP" PP			PP" PP		